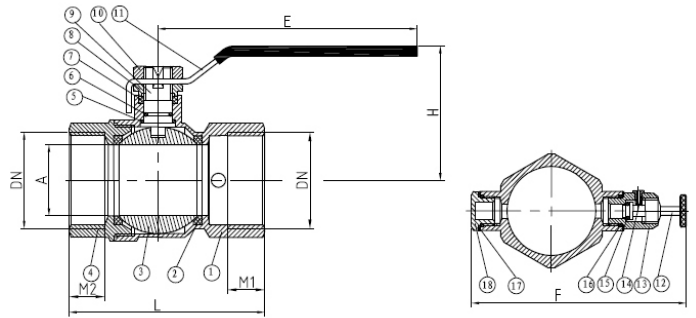


ART.1034 FF S standard



ART.1034 FF S standard

BRASS BALL VALVE WITH DRAIN OFF-COCK

Full Bore

Thread FF ISO228/1

Temperature: min -20°C
max +95°C

Opening and closing tests: 20.000

Nominal pressure: Max 25bar

Available: in all sizes from 1/2" up to 2"

NO	Component	Material
1	Body	Brass
2	Seat	P.T.F.E
3	Ball	Brass
4	Body	Brass
5	Down filling	P.T.F.E
6	O-ring	NBR 70°
7	Up-filling	P.T.F.E
8	Press nut	Brass
9	Stem	Brass
10	Nut	Steel
11	Handle	steel
12	Nozzle core	Brass
13	Nozzle body	Brass
14	Nozzle nob	Brass
15	O-ring	NBR 70°
16	O-ring	NBR 70°
17	Hard-paper gasket	Fibre
18	Nut for nozzle	Brass

DN			1/2"	3/4"	1"	1 1/4"	1 1/2"	2"			
A			14.8	19	24	30.2	37	47			
L			55.5	60.8	79.5	82	92	104.5			
H			44	48	57.3	69	74.5	84.5			
E			98	98	125	142	142	165			
M1/M2			10.5/11.5	11/11.5	13	15	15.5/16.5	16			
F			103	110	115	123	128	140			
PN			25	25	25	25	25	25			
Piece/Box			15	5	6	4	3	2			
Piece/carton			90	60	42	24	18	12			
Carton/pallet			36	36	36	36	36	36			

PRINT>> BACK>>